

CALEX MANUFACTURING CO
PC Board Power Supplies

52E D ■ 1811250 0001220 T82 ■ CEX

T-57.05

3355 Vincent Road, Pleasant Hill, CA 94523-4389 800-542-3355 Telephone (415)932-3911 FAX: (415)932-6017



DESCRIPTION

CALEX produces the highest quality, most dependable power supplies in the industry. These rugged units are reliable, cost effective power sources for use with a wide variety of operational amplifiers, function modules, and data conversion circuits. All units employ industry standard pin configurations to facilitate system upgrading by replacement of or substitution for supplies from other manufacturers.

All CALEX power supplies feature a 5 Year Warranty and are characterized by tight regulation, low noise, and outstanding stability. The short circuit protection features "foldback" current limiting, so all units can be shorted indefinitely without damage.

COMMON SPECIFICATIONS

Input Voltage

- 100 ±10VAC (add "-100" to model number)
- 115 ±10VAC (add "-115" to model number)
- 220 ±20VAC (add "-220" to model number)
- 230 ±20VAC (add "-230" to model number)
- 240 ±20VAC (add "-240" to model number)

SELECTION CHART

OUTPUT VOLTAGE VDC	OUTPUT CURRENT mA	VOLTAGE ACCURACY	LINE & LOAD REGULATION MAX	NOISE & RIPPLE mV RMS	CASE SIZE	UNIT WEIGHT (oz)	MODEL NUMBER
SINGLE OUTPUTS							
5	500	±1.0%	±0.10%	1	B1	11.2	1.5.500
5	1000	±1.0%	±0.10%	1	B2	11b 1.5	1.5.1000
*5	1000	±1.0%	±0.10%	1	B2	11b 1.5	1.5.1000-DV
**5	1000	±1.0%	±0.10%	1	B2	11b 1.5	7009
5	2000	±1.0%	±0.20%	2	B3	11b 6.2	1.5.2000
9	1000	±0.5%	±0.10%	2	B3	11b 6.2	1.9.1000
12	480	±0.5%	±0.04%	2	B2	11b 1.5	1.12.480
12	480	±0.5%	±0.04%	2	B2	11b 1.5	1.12.480-DV
12	750	±0.5%	±0.04%	2	B3	11b 6.2	1.12.750
15	400	±0.5%	±0.04%	2	B2	11b 1.5	1.15.400
15	600	±0.5%	±0.04%	2	B3	11b 6.2	1.15.600
18	500	±0.5%	±0.04%	2	B3	11b 6.2	1.18.500
24	375	±0.5%	±0.04%	2	B3	11b 6.2	1.24.375
DUAL OUTPUTS							
±5	±750	±0.5%	±0.10%	1	B3	11b 6.2	2.5.750
±12	±120	±0.5%	±0.04%	1	B1	11.2	2.12.120
±12	±240	±0.5%	±0.04%	1	B2	11b 1.5	2.12.240
*±12	±240	±0.5%	±0.04%	1	B2	11b 1.5	2.12.240-DV
±12	±360	±0.5%	±0.04%	2	B3	11b 6.2	2.12.360
±15	±50	±0.5%	±0.04%	1	B1	11.2	2.15.50
±15	±100	±0.5%	±0.04%	1	B1	11.2	2.15.100
±15	±200	±0.5%	±0.04%	1	B2	11b 1.5	2.15.200
*±15	±200	±0.5%	±0.04%	1	B2	11b 1.5	2.15.200-DV
**±15	±200	±0.5%	±0.04%	1	B2	11b 1.5	7010
±15	±350	±0.5%	±0.04%	2	B3	11b 6.2	2.15.350
TRIPLE OUTPUTS							
±12 & 5	±100 600	±1.0%	±0.10%◆	2	B2	11b 1.5	3.12.5
±15 & 5	±100 500	±1.0%	±0.10%	2	B2	11b 1.5	3.15.5
±12 & 5	±125 1000	±1.0%	±0.20%	2	B3	11b 6.2	3.12.1000
±15 & 5	±100 1000	±1.0%	±0.20%	2	B3	11b 6.2	3.15.1000

* Dual AC Input 115/230VAC

** Recognized to UL 544 (Available in 115VAC only).

◆The +5V output load regulation in the 3.12.5-100 and 3.12.5-115 models is 0.20%

PC Board Power Supplies and Mounting Kits



3355 Vincent Road, Pleasant Hill, CA 94523-4389 800-542-3355 Telephone (415)932-3911 FAX: (415)932-6017

T-57-05

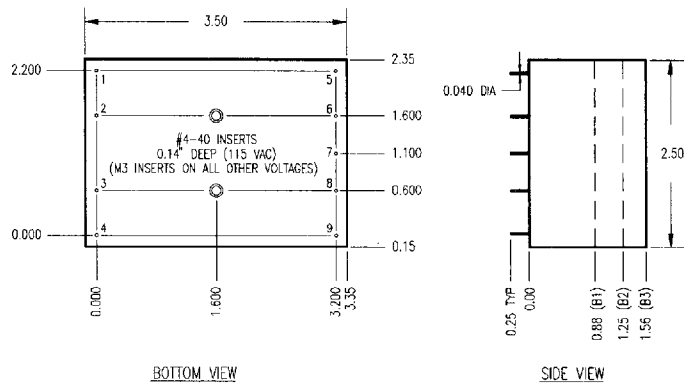
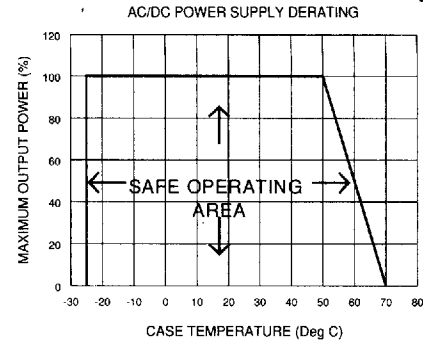
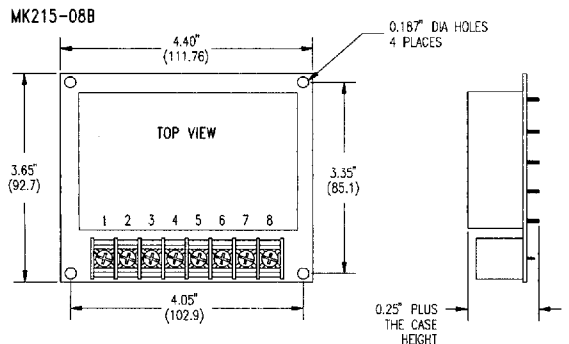
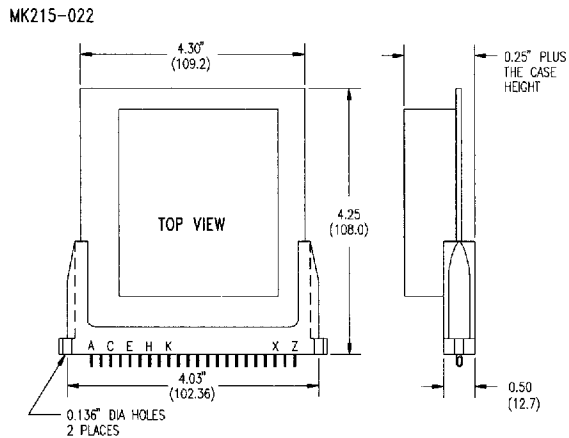
GENERAL SPECIFICATIONS (1)			
MODEL		ALL MODELS	UNITS
Input Frequency Range	TYP	50 to 60	Hz
Short Circuit Protection	TYP	Foldback Current Limiting	
ISOLATION			
Isolation Resistance	MIN	50	MΩ
Isolation Voltage (2)	MIN	1200 - 2500	VRMS
Input to Output Capacitance (2)	TYP	50 - 250	pF
ENVIRONMENTAL			
Case Operating Range, No Derating	MIN MAX	-25 +50	°C
Storage Range	MIN MAX	-25 +85	°C
Temperature Coefficient	TYP	±0.01	%/°C
Case		B1, B2 & B3	
Mounting Kits		MK215-022 & MK215-08B	

NOTES

- (1) All parameters measured at 25 °C, nominal input voltage and full rated load unless otherwise noted. Refer to the CALEX Application Notes for the definition of terms, measurement circuits and other information.
- (2) Contact the factory for information on exact model, outside California call, 800-542-3355, inside California call 415-932-3911.

POWER SUPPLY MOUNTING KIT OPTIONS

Two types of mounting kits are available for convenient installation of CALEX power supplies. The MK215-022 consists of a PC card with a 22-pin connector for use in racks. The alternative, our MK215-08B, employs a barrier strip type connector for chassis mount applications. Two screws hold the power supply firmly in place on the PC card without need of soldering.



A MODELS HAVE 2" SPACING BETWEEN AC PINS. (E.G. 2.15.200A)

PIN ASSIGNMENTS	
FUNCTION	PIN NUMBER
+OUTPUT VOLTAGE	9
-OUTPUT VOLTAGE	5
CMN	7
ON SINGLE OUTPUT CMN IS ALSO CONNECTED TO	5
AC INPUT 100,115, 220, 230, 240VAC AC INPUT AND DV UNITS	1 or 1A 4 or 4A
DV UNITS-230V	JUMPER 2 & 3
DV UNITS-115V	JUMPER 1 to 3 & 2 to 4

Mechanical tolerances unless otherwise noted:

X.XX dimensions: ±0.020 inches

X.XXX dimensions: ±0.005 inches

CASE TO MOUNTING KIT CONNECTIONS		
CASE PIN	MK215-022	MK215-08B
1, 1A	X	2
2	-	-
3	-	-
4, 4A	Z	1
5	K	6
6	H	5
7	E	7
8	C	4
9	A	8

Pins not referenced are not inserted in the case.